

## IoT Out Of The Box

### Features:

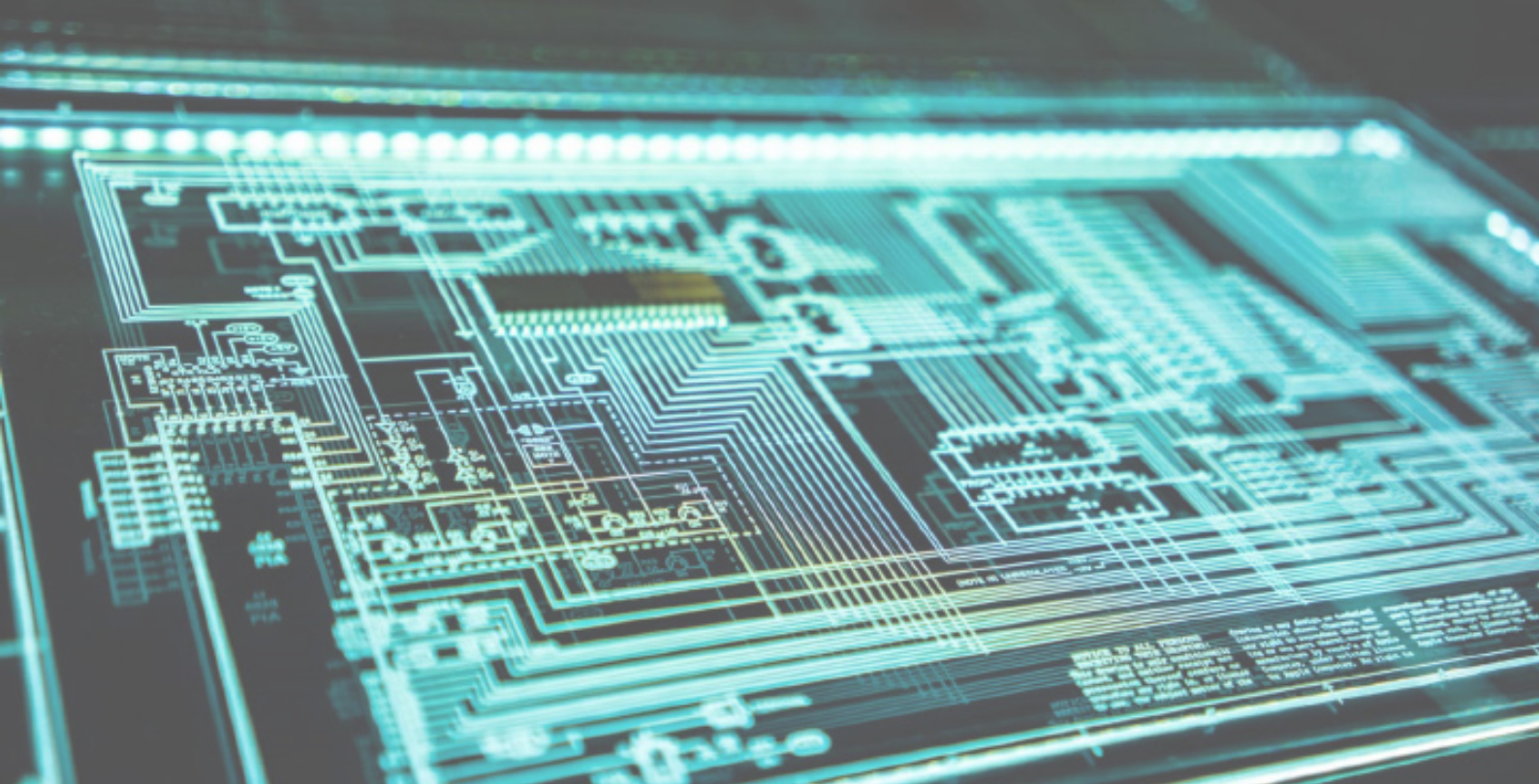
- Complete IoT development platform
- Pre-certified hardware, ready for field deployment
- Secure, easy to set up, easy to use
- 1 Gateway, 3 Mesh Routers, 4 TrakSense360
- Rechargeable tag battery provides months of life



### Description:

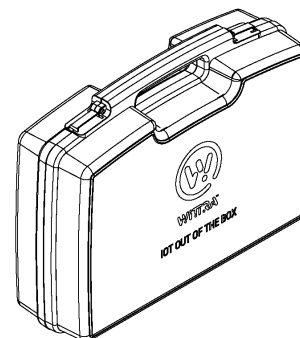
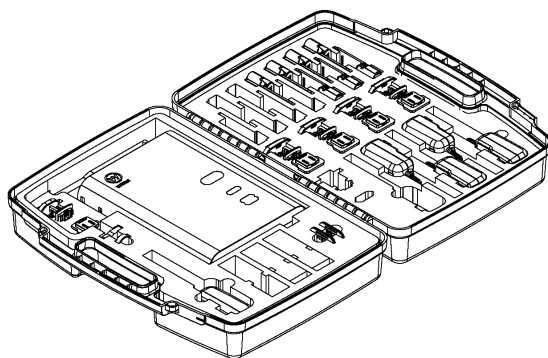
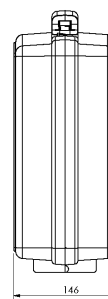
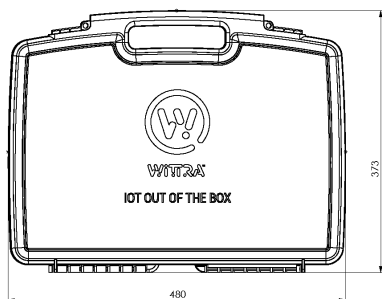
A wireless sensor network development kit which can be deployed on a heavy industrial site or areas of weak connectivity to monitor objects and assets, with a cloud based API.

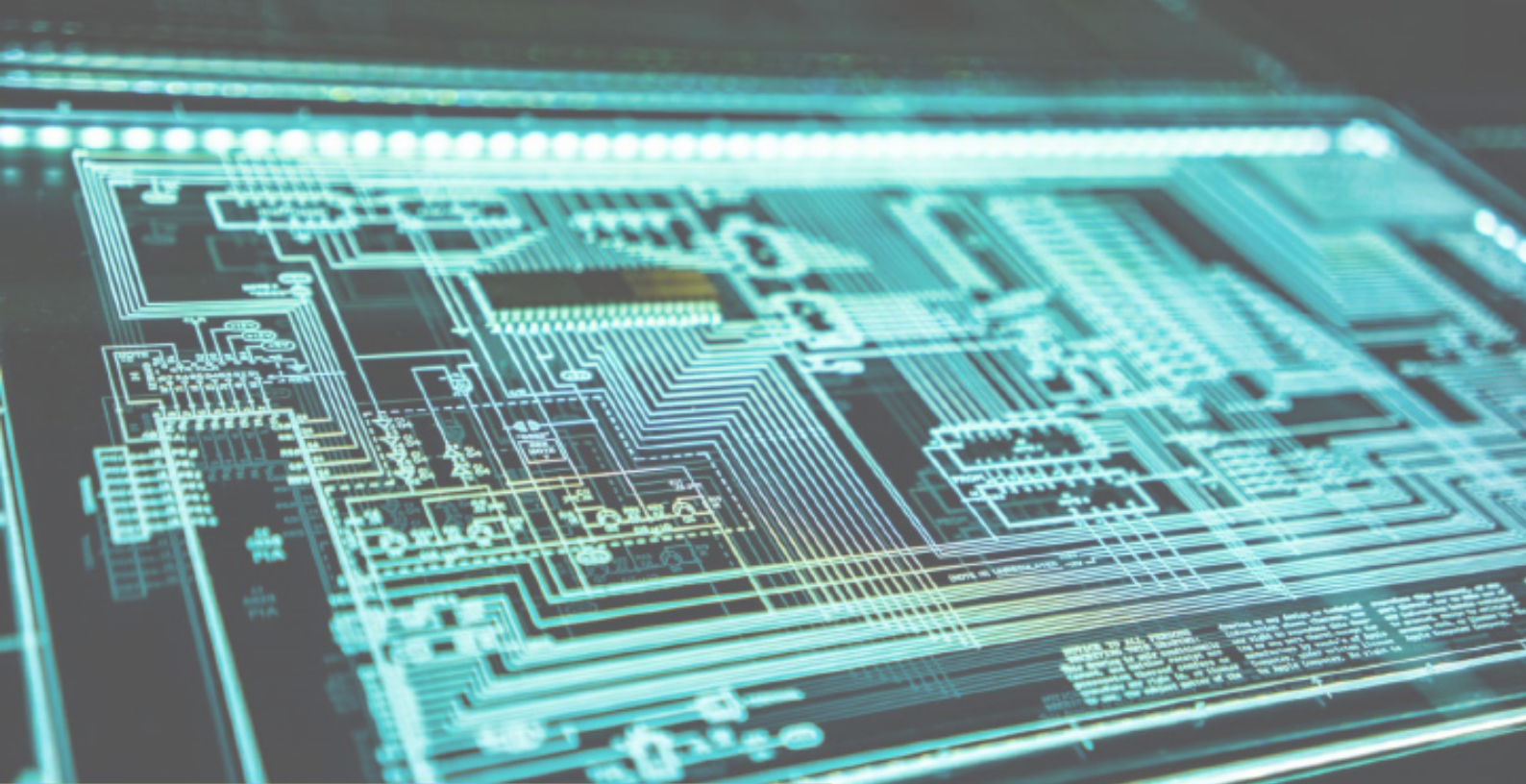
SPECIFICATION	
Size (whole kit)	480 x 373 x 146mm
Weight	4kg
Kit contents	1 x SGW-10 Gateway & 12V Supply 3 x MTG-10 Mesh Router 4 x STG-10 TrakSense360 including protection cover 7 x TrakSense360 Mounting Cradles 7 x TrakSense360 Velcro Straps 1 x Reset Plug 4x 5V Power supplies (3 Mesh Router & 1 Sensor Tag) 1x External Antenna 1x OTG Adapter 2x Release Key
Ambient Operating Temperature <ul style="list-style-type: none"> <li>• Tags &amp; Mesh Routers</li> <li>• Gateway</li> </ul>	-30°C to +60°C** 0°C to +50°C
Environmental Rating <ul style="list-style-type: none"> <li>• Sensor Tags</li> <li>• Mesh Routers</li> <li>• Gateway</li> </ul>	IP67 IP51 IP51
TrakSense360 Battery	360mAh LiPo Rechargeable
TrakSense360 Maximum Input Power	100mA @5V (Micro-B USB)
TrakSense360 Average Current Consumption	55uA (posting data every 5 minutes)
TrakSense360 Sleep Current	11 uA
Mesh Router Input Power	20mA @5V (Micro-B USB)
Gateway Input Power	2.5A max @12V (2-pin barrel connector)
SenseIT Network Radio Transmit Frequency	863 - 870 MHz (EU) or 902 - 928 MHz (US)
SenseIT Data Transmission Rate	50kbps (as per IEE802.15.4g)
Regulatory Compliance	CE (EU) or FCC (USA)
Security	HTTPS, DTLS



# IOT OUT OF THE BOX

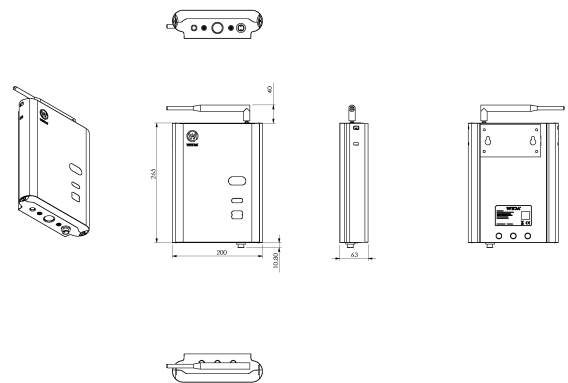
## DIAGRAM



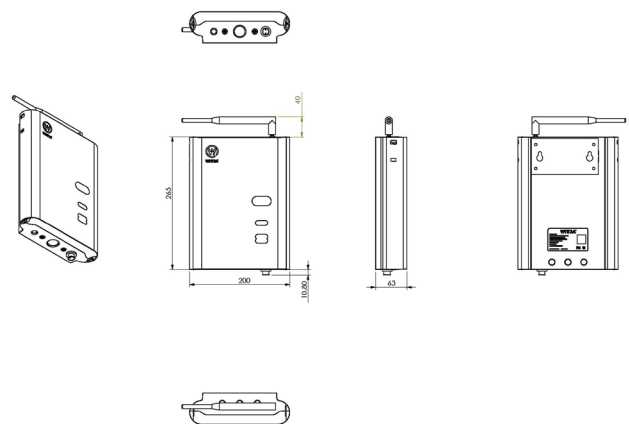


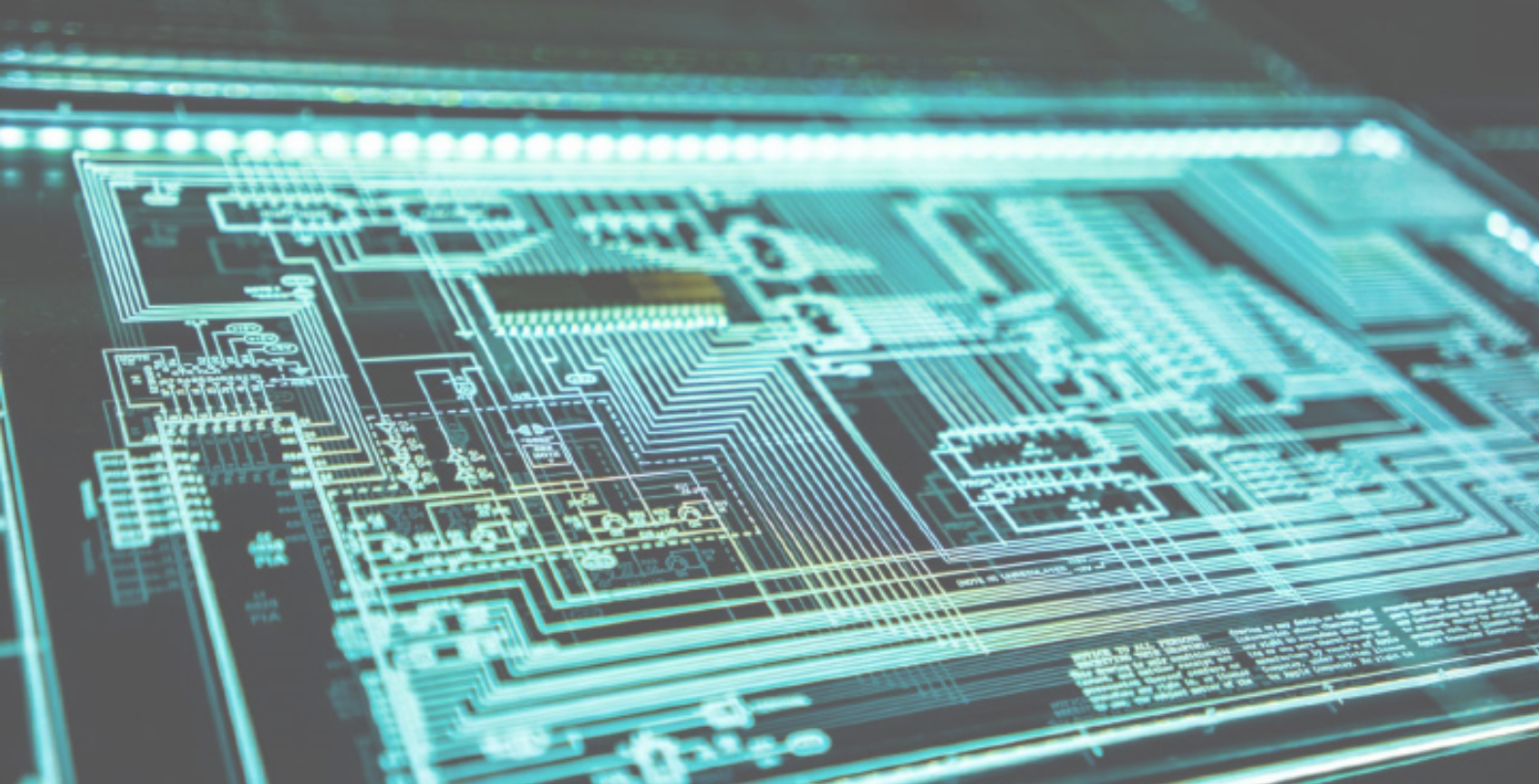
# IOT OUT OF THE BOX

## GATEWAY EU

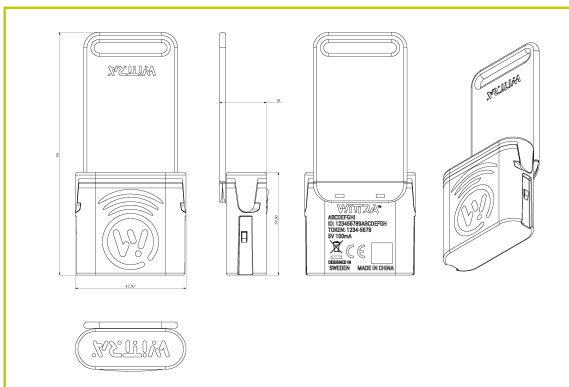


## GATEWAY US

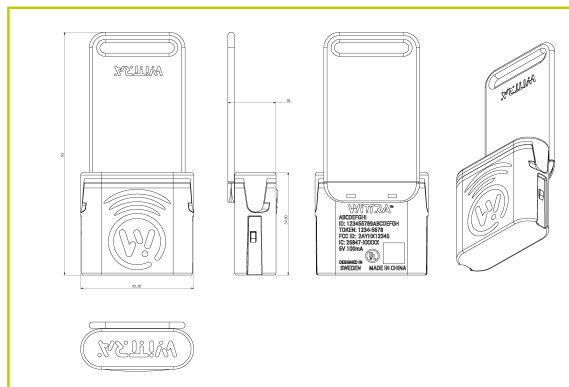




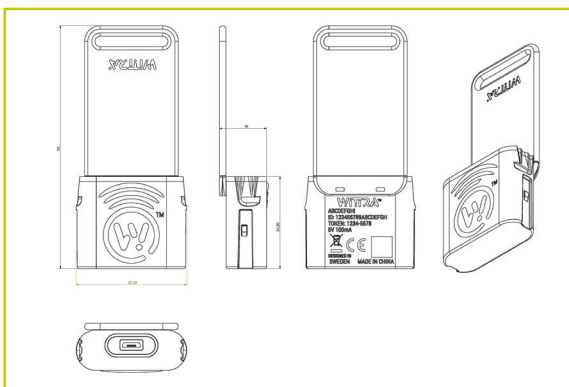
# WITTRA IOT OUT OF THE BOX



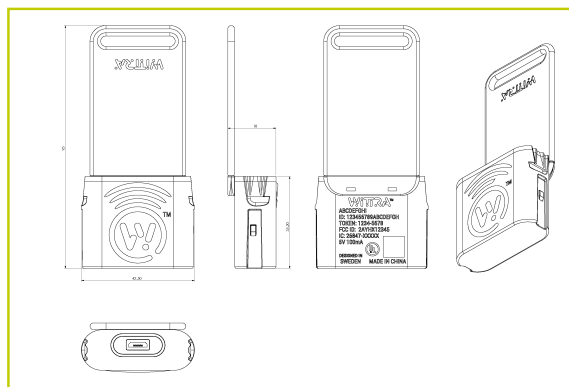
TRAKSENSE360 EU



TRAKSENSE360 US



MESH ROUTER EU



MESH ROUTER US