

Click-On Sensor

Features:

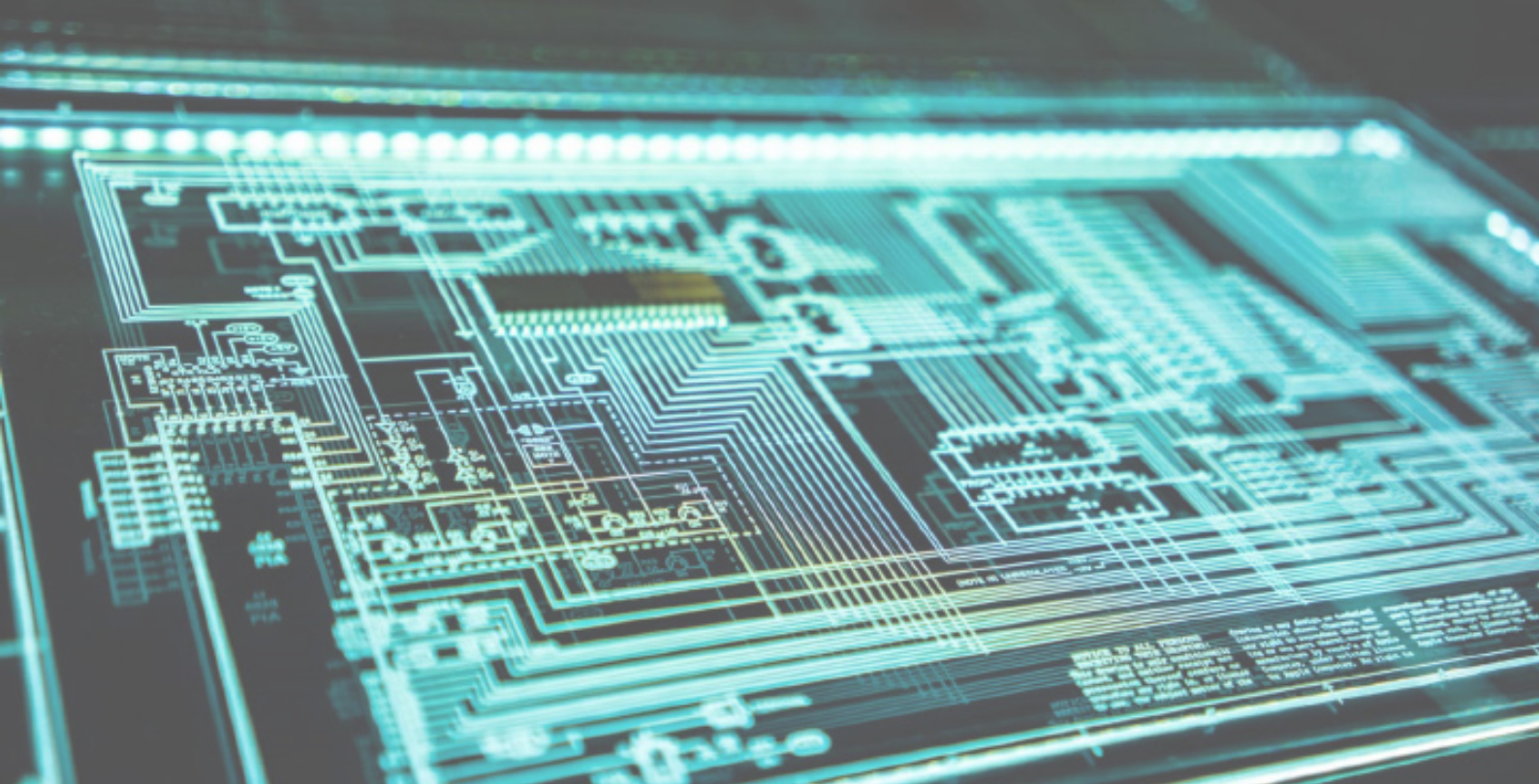
- A plug-in multi-sensor module for the WITTRA TrakSense360
- Humidity
- Ambient Light
- Air Pressure
- Air Temperature
- Two versions are available



Description:

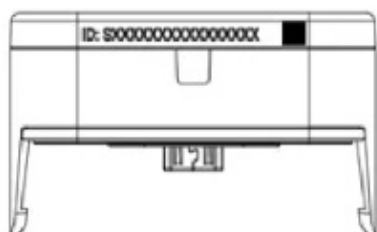
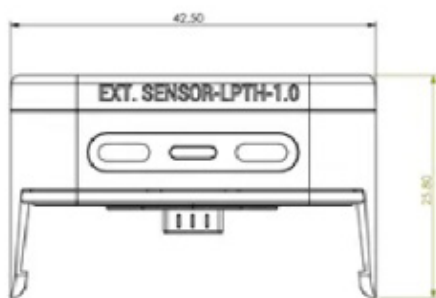
WITTRA Click-On Sensor is a plug-in multi-sensor module for the WITTRA TrakSense360, providing additional environmental sensing functions for the IoT Network Kit... Ambient light, Air pressure, Air temperature and Humidity. Two versions are available, one allowing external USB power feed-through, one which draws power only from the tag internal battery.

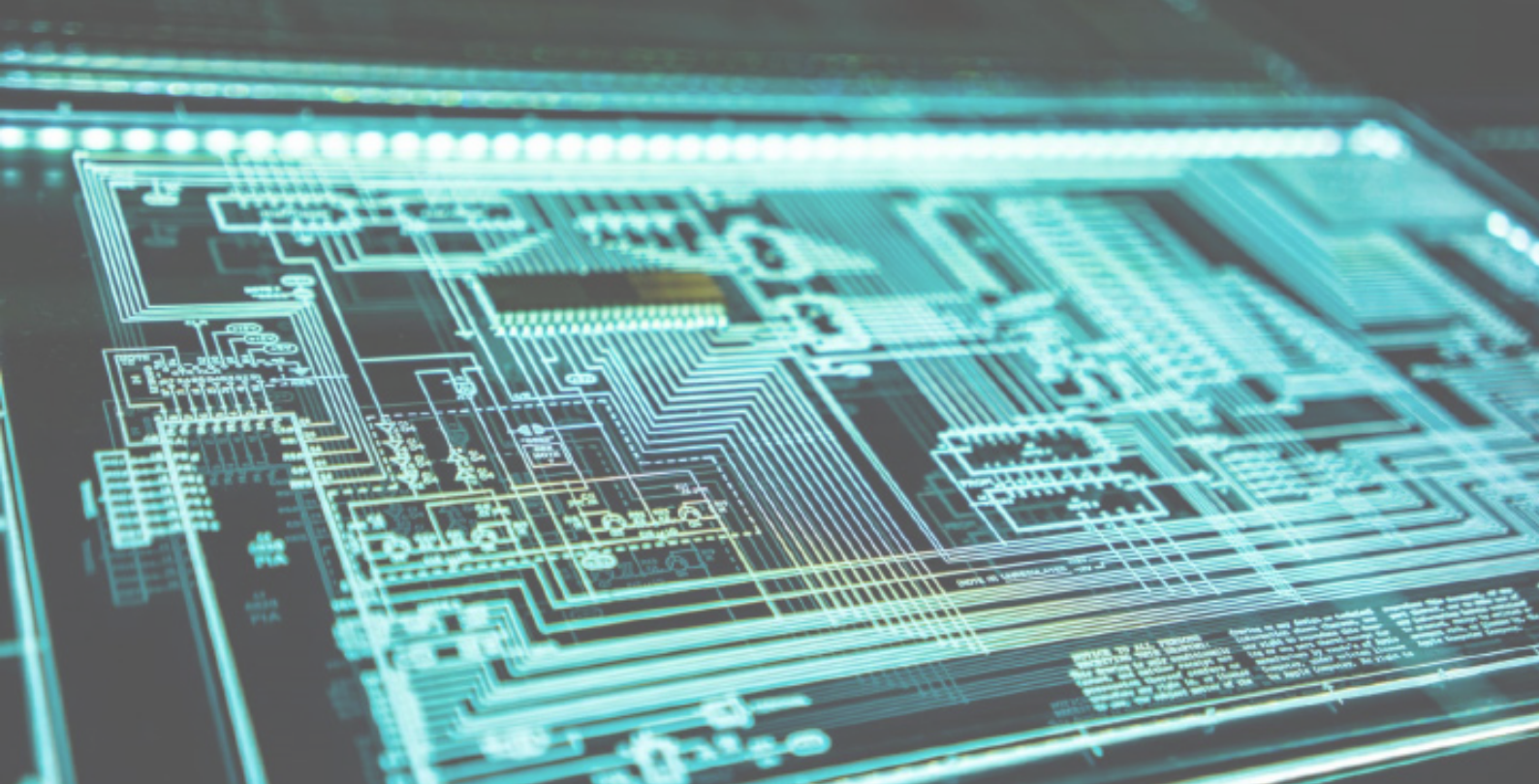
SPECIFICATION	
Size (short body version, only internal power)	42.0 x 15.5 x 15.0 mm
Size (long body version, feed through power)	42.0 x 15.5 x 28.0 mm
Weight (small module)	9 g
Weight (large module)	16 g
Ambient operating temperature	-40 to +85 Degrees C
Environmental Rating	IP67 (water submersible to 1 metre)
External Sensor maximum input power	10mA @1.9V (I2C link)
External Sensor average current consumption	80uA (posting data every 5 minutes)
Regulatory compliance	CE, FCC
Sensors included	Ambient light, Air pressure, Humidity, Air temperature
Optical (light) sensing range (OPT3001)	0.01 Lux to 83,000 Lux \pm 5% for sunlight. Accuracy indoors depends on sensor orientation towards light source
Air pressure range (LPS22HH)	260 to 1260 hPa \pm 0.5 hPa
Humidity sensor range (SHTC3)	0 to 100% RH (non condensing) \pm 2%
Air temperature range (SHTC3)	-40 to +85 Degrees C \pm 0.2 Degrees



CLICK-ON SENSOR

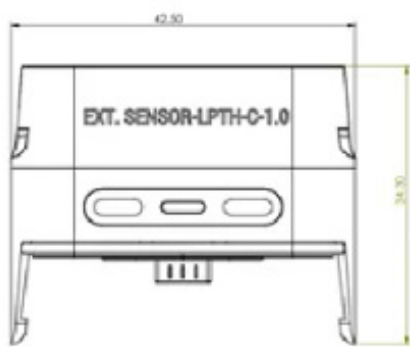
DIAGRAM



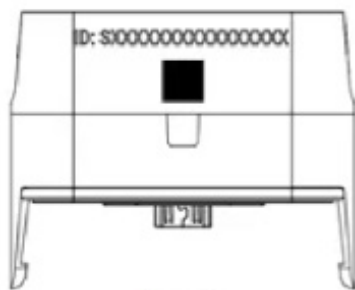


CLICK-ON SENSOR

DIAGRAM



FRONT SIDE



BACK SIDE

