

Gateway

Features:

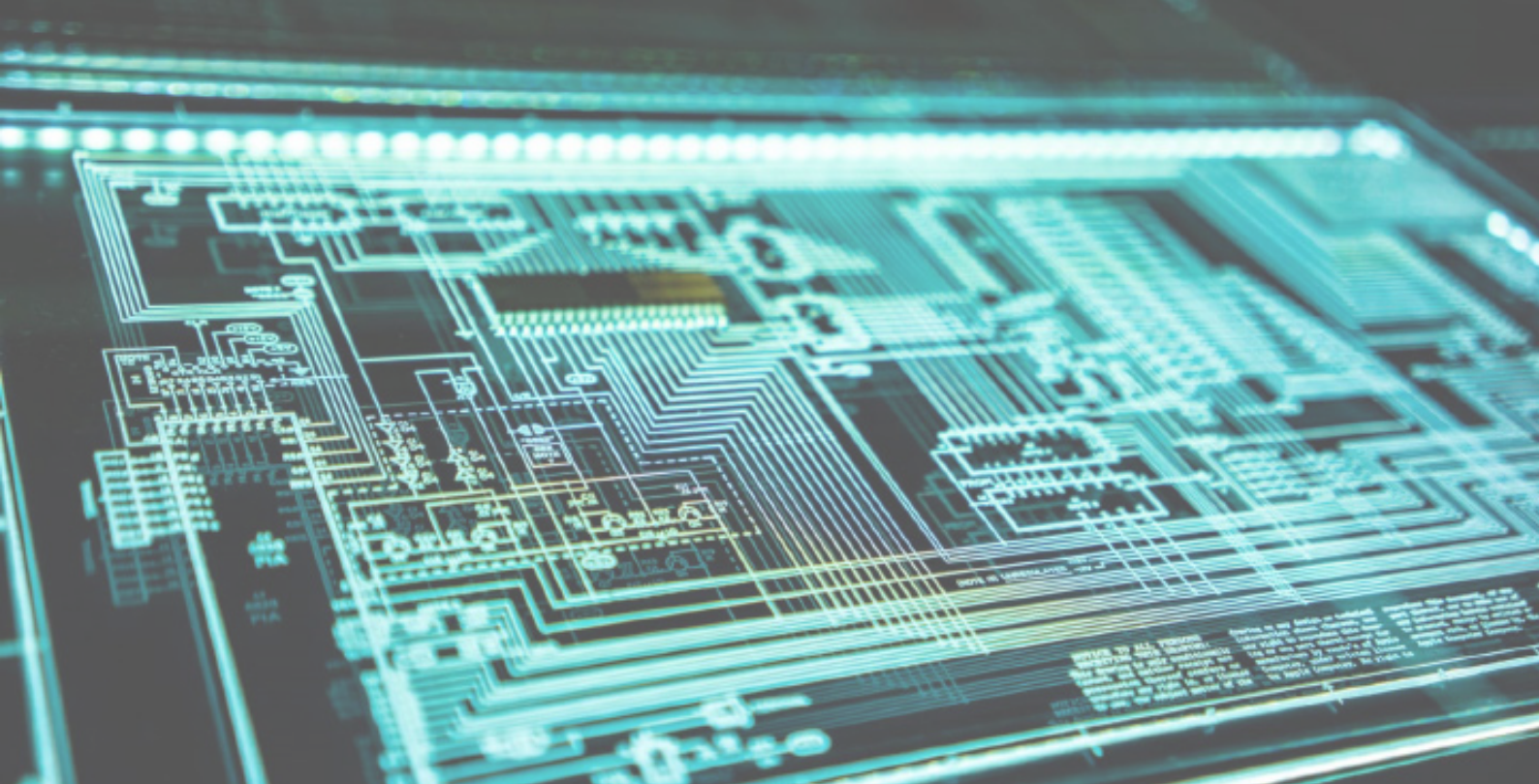
- Self contained cloud gateway
- Cabled ethernet for connectivity
- Includes state of the art 6LoWPAN border router
- Pre-certified, ready for field deployment
- Open standards / protocols
- Data is secured via HTTPS and DTLS
- Easy to set up, easy to use
- Gateway is part of IoT Out Of The Box



Description:

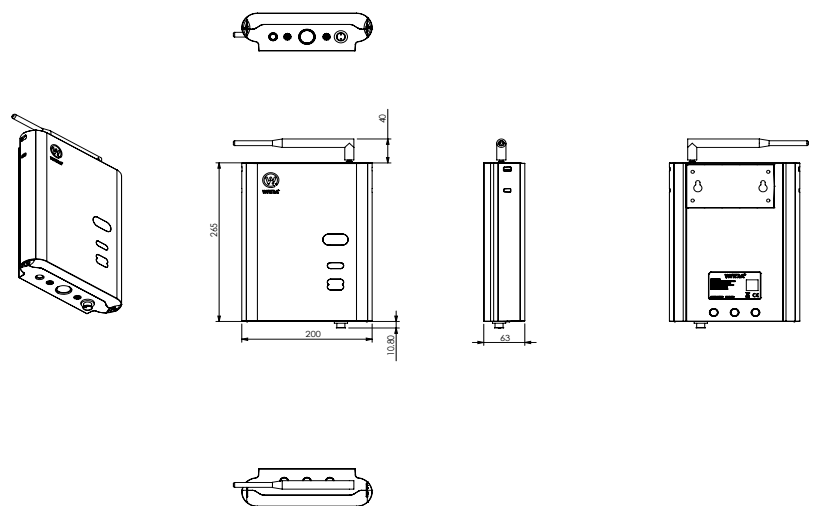
The network/cloud gateway is part of a wireless sensor network which can be deployed on a heavy industrial site to monitor objects and assets, with a cloud based API.

SPECIFICATION	
Size (whole kit)	265 x 200 x 63mm (ABS Housing)
Weight	1.1kg
Operating temperature	0°C to +50°C
Environmental Rating	IP51
Physical Interface	Power: 2-pin Sealed Barrel Connector
Input Voltage Range	10—16 Volts DC
Maximum Input Power	2A @12V
Average Current Consumption	700mA @5V
SenseIT Radio Transmit Frequency	863 - 870 MHz (EU) or 902 - 928 MHz (US)
SenseIT Radio Transmit Power	20mW EIRP Max
SenseIT Data Transmission Rate	50kbps (as per IEEE 802.15.4g)
FOTA (Firmware over the air) update	2.4GHz and 868MHz (EU) or 915MHz (USA)
Cloud Physical Interface	Gigbit Ethernet
Regulatory Compliance	CE (EU) or FCC (USA)
Security	HTTPS, DTLS



GATEWAY

GATEWAY EU



GATEWAY US

